



EV9634-01

OW2-Plus Filter Cartridge

Delivers premium quality drinking water for bottleless coolers and drinking fountains



**OW2-Plus Replacement Cartridge:
EV9634-01**

BENEFITS

Everpure's unique filter blend using activated carbon reduces chlorine taste and odor and other offensive contaminants

Reduces lead[†] to below the Federal Action Level of 15 ppb

Precoat submicron technology reduces dirt and particles as small as 1/2 micron in size

Provides bacteriostatic control and reduces microbial growth*

Reduces contaminants such as asbestos fibers and Cryptosporidium and Giardia cysts

Inhibits limescale build-up* in water using appliances with KDF[®] media

Sanitary cartridge replacement is simple, quick and clean. Internal filter parts are never exposed to handling or contamination

NSF Certified under NSF/ANSI Standards 42 and 53

*as tested by KDF

[†]Lead claim only valid with use of fitting with flow control at 0.5 gpm (p/n EV3081-32)

INSTALLATION TIPS

Never use saddle valve for connection

Use 3/8" water line

Install vertically with cartridge hanging down

Allow 2-1/2" clearance below the cartridge for easy cartridge replacement

Flush OW2-Plus cartridge by running water through filter for three minutes at full flow

OPERATION TIPS

Change cartridges on a regular 6 month preventative maintenance program

Change cartridges when capacity is reached or when pressure falls below 10 psi

Service flow rate must not exceed 0.5 gpm

Always flush the filter cartridge at time of installation and cartridge change

APPLICATION/SIZING

For smaller capacity coolers and office water applications

Rated Capacity: 1,000 gallons (3,785 L)

OW2-Plus Filter Cartridge

SPECIFICATIONS

Overall Dimensions:

8.25"H x 3.25"Diameter

Service Flow Rate:

Maximum 0.5 gpm (1.9 Lpm)

Rated Capacity: 1,000 gallons

Pressure Requirements:

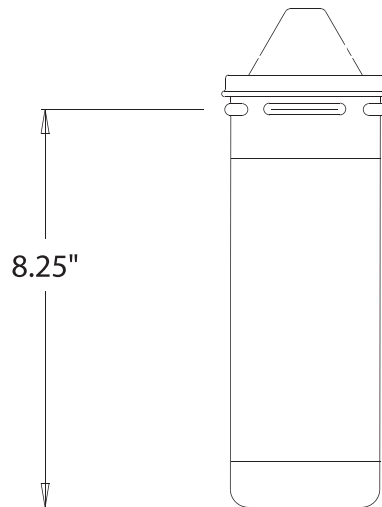
10 - 125 psi (0.7 - 8.6 bar), non-shock

Temperature: 35 - 100°F (2 - 38°C)

No electrical connection required

KDF® is the registered trademark of KDF Fluid Treatment, Inc.

The contaminants or other substances removed or reduced by this drinking water system are not necessarily in your water. Do not use with water that is microbiologically unsafe or of unknown quality without adequate disinfection before or after the system. Systems certified for cyst reduction may be used with disinfected water that may contain filterable cysts.



WARRANTY

Everpure water treatment systems (excluding replaceable elements) are covered by a limited warranty against defects in material and workmanship for a period of five years after date of purchase. Everpure replaceable elements (filter cartridges and water treatment cartridges) are covered by a limited warranty against defects in material and workmanship for a period of one year after date of purchase. See printed warranty for details. Everpure will provide a copy of the warranty upon request.



System Tested and Certified by NSF International against ANSI/NSF Standard 42 and 53 for the reduction of:

Standard No. 42: Aesthetic Effects
Chemical Unit
Taste and Odor Reduction
Chlorine Reduction
Mechanical Filtration Unit
Nominal Particulate Reduction, Class I:
99.2+% reduction of particles one-half micron and larger in size
Standard No. 53: Health Effects
Chemical Reduction Unit
Lead Reduction†
Mechanical Filtration Unit
Turbidity Reduction
Cyst Reduction
Asbestos Reduction

†Lead claim only valid with use of fitting with flow control at 0.5 gpm (p/n EV3081-32)



EVERPURE, LLC
1040 Muirfield Drive
Hanover Park, Illinois 60133
Toll Free (800) 323-7873
Tel (630) 307-3000
Fax (630) 307-3030
<http://www.everpure.com>

In Europe:
N.V. EVERPURE (EUROPE) S.A.
INDUSTRIEPARK WOLFSTEE
TOEKOMSTLAAN 30
B-2200 HERENTALS
BELGIUM
TEL 32 -14-283500
FAX 32-14-283505

In Japan:
EVERPURE JAPAN LLC
HASHIMOTO MN BLDG. 7F
3-25-1 HASHIMOTO SAGAMIHARA-SHI
KANAGAWA 229-1103
JAPAN
TEL 81-(0)42-775-3011
FAX 81-(0)42-775-3015